

SUBMITTAL COVER SHEET

JJM BOILER WORKS, INC. / CONDENSATE Ph TREATMENT PRODUCTS

PROJECT NAME:

LOCATION:

ARCHITECT:

ENGINEER:

CONTRACTOR:

SUBMITTED BY:

DATE:

MODEL SUMMARY

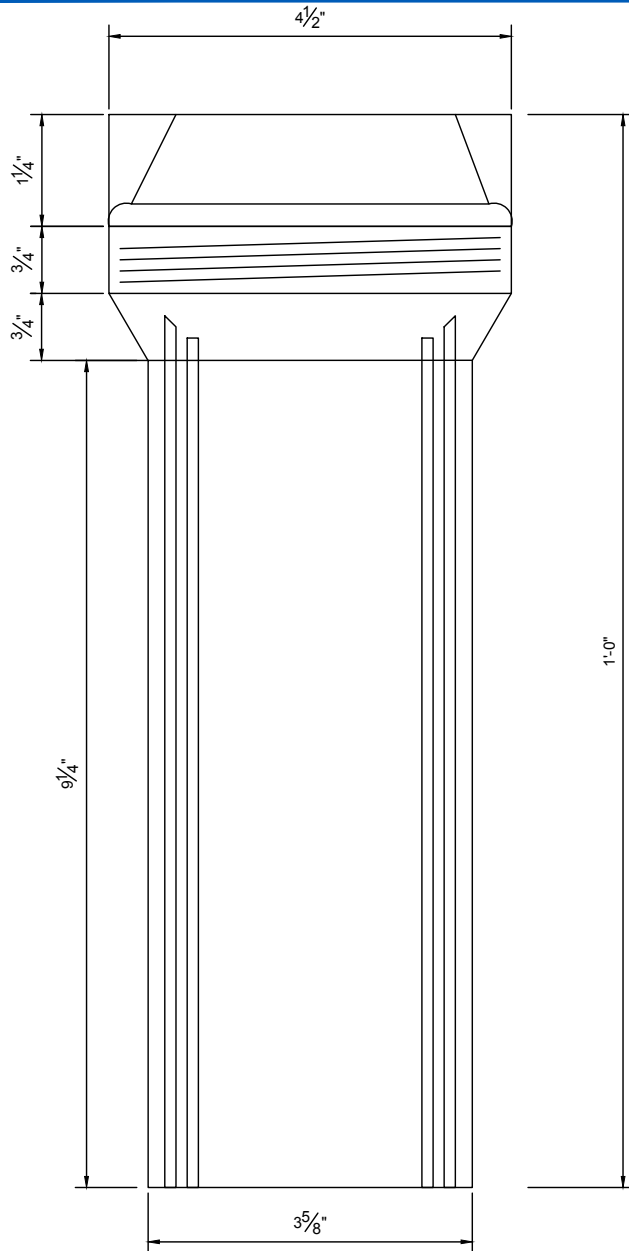
| | | | | |
|------------------------------|--|--|--|--|
| Quantity | Product | | | |
| Model | V-250 | | | |
| Model # | 4000 | | | |
| Rating BTU | 1 to 250,000 BTU's | | | |
| Rating GPH | 1.90 GPH | | | |
| Inlet Port Size | ¾" | | | |
| Outlet Port Size | ¾" | | | |
| Clear Tube | Yes | | | |
| Inner Cartridge | Yes | | | |
| Active Ingredient | Magnesium Hydroxide Pellets | | | |
| Voltage | N/A | | | |
| Amps | N/A | | | |
| Watts | N/A | | | |

| | | | | |
|--------------------------------|---------------|-----|--|--|
| Pump rating GPM | N/A | | | |
| pH Panel Model | Walchem | N/A | | |
| Pump panel Model | SeeWater | N/A | | |
| Tube Material | Polypropylene | YES | | |
| Tank Material | Polyethylene | N/A | | |
| Tube Temperature Rating | 140F Con. | Yes | | |
| Tank Temperature Rating | 140F Con. | N/A | | |
| Tank Frames | Powder coated | N/A | | |
| Mounting | Horizontal | Yes | | |
| Flue Drain Model | | N/A | | |
| Common Stack Model | | N/A | | |

NOTES:

Recommended Piping: Sch40 PVC, CPVC, PP Tubing





V250 dimensions

| | | | |
|-------------|--------------|-----|-------|
| REV: | DESCRIPTION: | BY: | DATE: |
| AMENDMENTS: | | | |

| | | | | | | | | |
|--------------------------------|--|-----------------|--|-------------|--|----------|--|---|
| SITE: JJM BOILER WORKS INC. | | V250 dimensions | | --- | | 06/11/16 | | <div style="border: 1px solid black; width: 50px; height: 50px; margin: auto;"></div> |
| TITLE: V-250 Dimensions | | DRAWING NO. | | PROJECT NO. | | DATE. | | |
| | | NA | | SG | | | | |
| | | SCALE AT A4. | | DRAWN. | | CHECKED. | | REVISION. |